

Convected Air Dish Heaters Model DH07 (Two-Well), DH08 (Three-Well)



DH07 Shown

Aladdin Temp-Rite convected air dish heaters are available in two well and three well models. These units are designed specifically for use with a wide variety of 9" (22.9 cm) china and Alacite® dishware only. (Not to be used for heating stainless steel pellet bases.)

Standard Features:

- Durable and attractive stainless steel cabinet
- Quick and efficient convected air heating system
- Fully insulated heater compartment
- Individual field adjustable, self-leveling stainless steel mechanisms, easily removable for cleaning
- Four swivel 5" casters, two with brakes, for ease of maneuverability and stability
- Designed to heat china or Alacite dinnerware
- Convenient push/pull handle
- Corner bumpers
- Lighted power switch to indicate operational mode
- Tight fitting lid design seals without gasket
- Removable service panel for easy access to temperature controls
- All thermostatic devices are engineered for accurate, trouble-free operation
- Eight foot long, three wire, grounded electrical supply cord and plug with strain relief

Specifications:

Heating System

A forced air convection system circulates thermostatically controlled heated air evenly throughout the insulated heat compartment. The fan motor is located outside the heated compartment. The heating element is circular shaped and located around the perimeter of the fan. A resettable high limit switch (located behind access panel) is provided for added safety.

Cabinet

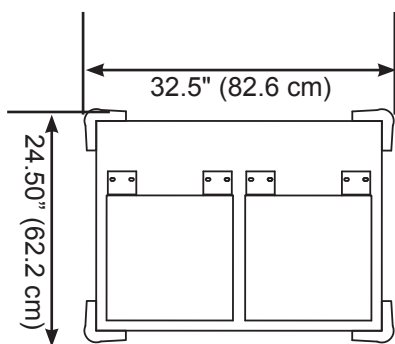
The cabinet exterior, top, lid and dispensing mechanism is constructed of heavy gauge stainless steel with reinforcing at all stress areas. The heater compartment is separated from the cabinet exterior and is fully insulated.

Temperature Modes

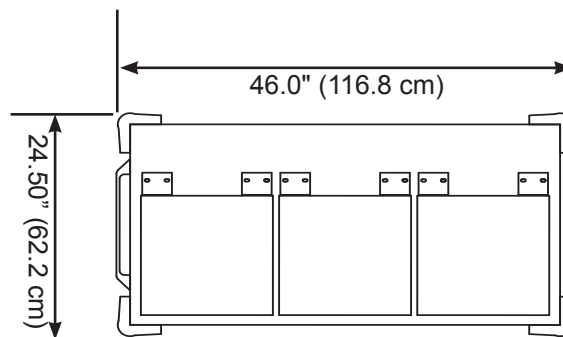
Temperature is factory set for optimum heating of china and Alacite dishware.

Convected Air Dish Heaters

Model DH07 (Two Well), DH08 (Three Well)



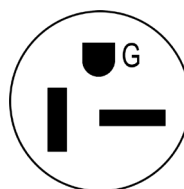
DH07 Shown
Plan View



DH08 Shown
Plan View



DH08 Shown



6-20P NEMA
Straight-Blade Plug



DH07 & DH08 Technical Specifications							
Model Number	Capacity	Electrical	Cord Set/ NEMA Plug	Width	Depth	Height	Shipping Weight
<input type="checkbox"/> DH07	120 - 9" Round Dishes	Volts: 208-240 volt Hertz: 60 Phase: Single Max amp draw: 23.5 Min. amp capacity: 15.9	6-20P 8' Cord	32.5" (82.6 cm)	24.50" (62.23 cm)	42.81" (108.73 cm)	270 lbs. (122.5 kg)
<input type="checkbox"/> DH08	180 - 9" Round Dishes	Volts: 208-240 volt Hertz: 60 Phase: Single Max amp draw: 23.5 Min. amp capacity: 15.9	6-20P 8' Cord	46.0" (116.8 cm)	24.50" (62.23 cm)	42.81" (108.73 cm)	300 lbs. (136.1 kg)

Visit aladdintemprite.com/patents for patent information.

250 E. Main St. | Hendersonville, TN 37075 | Customer Service: 800.888.8018 | Tech Service: 800.888.5426 | Fax: 888.812.9956 | aladdintemprite.com

©2021 Aladdin Temp-Rite.® All rights reserved. Note: Specifications are subject to change without notice.



S211122DH0708

an Ali Group Company



The Spirit of Excellence